

RAMPTECH® PRODUCT SHEET

RAMPTECH® LAVATORY DRAIN COUPLING

QUICKER AND EASIER TO USE WHILE PROVIDING A LEAK-PROOF SEAL

DESIGNED TO MAKE A SUPERIOR CONNECTION, EASILY, AND QUICKLY



ENGINEERED NOT JUST TO DO THE JOB, BUT TO DO A BETTER JOB

You can feel the difference when the RAMPTECH® Lavatory Drain Coupling locks in place. The positive snap feel lets you know it's locked on and it's going to stay locked on.

The RAMPTECH® Lavatory Drain Coupling provides a positive leak-proof connection on all standard 4 in. drain valves and flanges, eliminating ramp spills and waste contact with ground support servicing personnel.



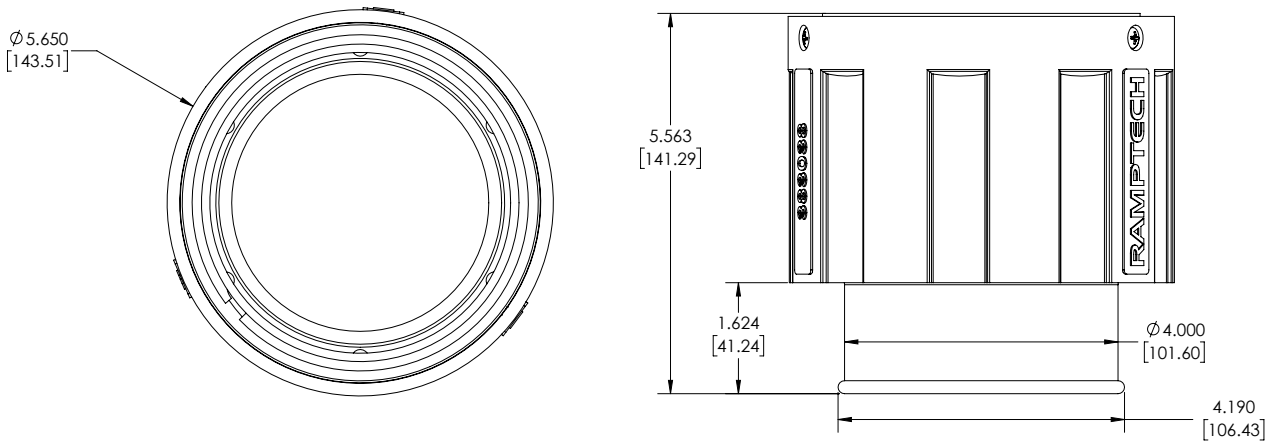
SAGE P/N: 383038RT

FEATURES

- DURABLE, IMPACT RESISTANT, NON-POROUS MATERIALS
- DISTINCTIVE YELLOW COLORED COLLAR FOR HIGH VISIBILITY
- LIGHTWEIGHT FOR EASY HANDLING AND OPERATION
- STAINLESS STEEL CAM RING, RETAINING WASHER AND SNAP RING RESISTS CORROSION AND PROVIDES LONG LASTING PERFORMANCE
- POSITIVE LEAK-PROOF CONNECTION ELIMINATES RAMP SPILLAGE AND WASTE CONTACT WITH SERVICING PERSONNEL

SUPERIOR CONSTRUCTION LIGHTWEIGHT DESIGN

RAMPTECH® couplings are constructed of extra durable, impact-resistant, non-porous composite material that will withstand the most demanding high volume usage in the most demanding ramp conditions.



SPECIFICATIONS

Size: 4 in. (102 mm)

Termination Type Fitting: 4 in. (102 mm) Hose

Material: Composite



RAMPTECH® LAV WYE DRAIN COUPLING

Wye drain with mating hose bib connection for all standard 4 in. Lav service hoses

SAGE P/N: 383331